

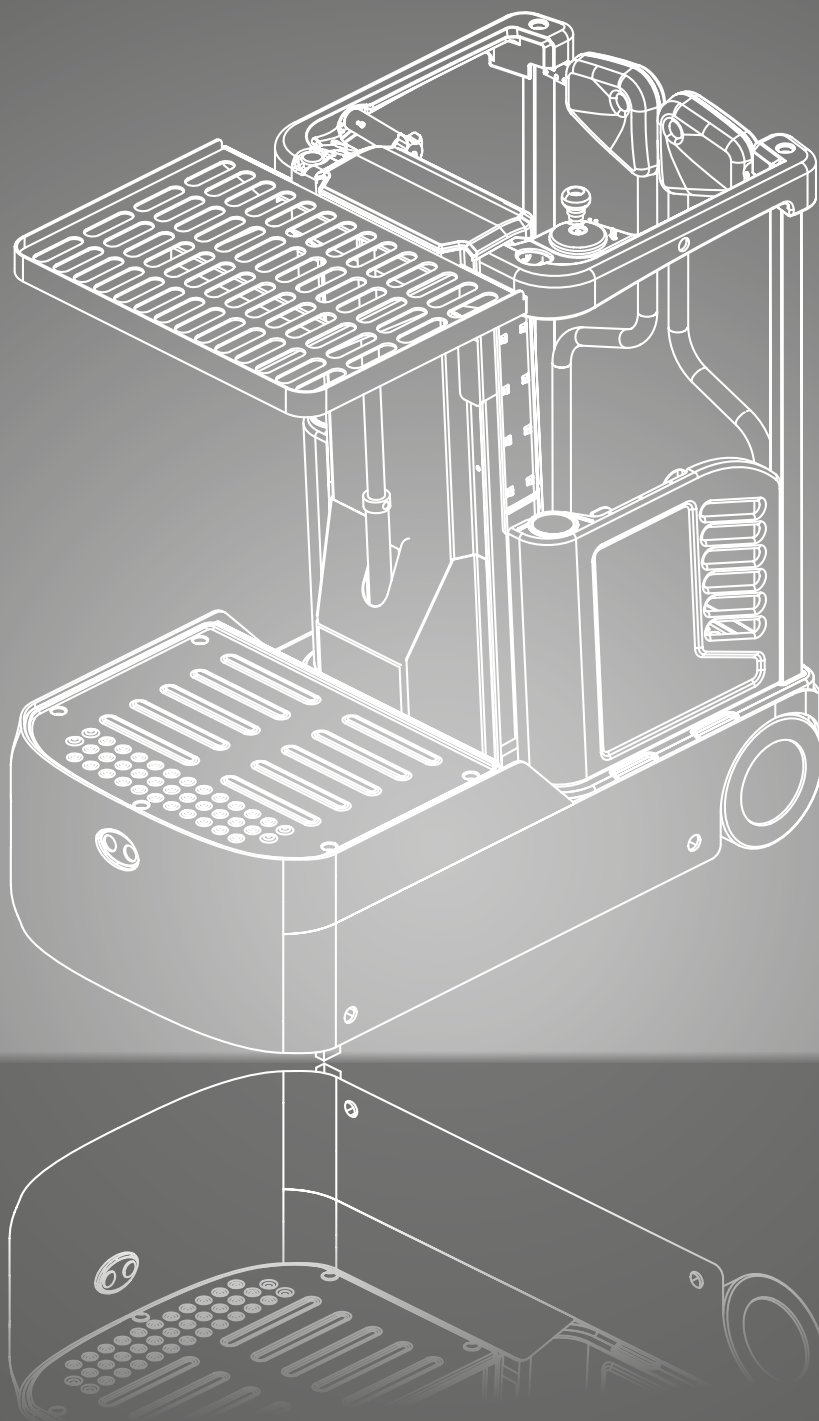


THE FORKLIFT

COP1

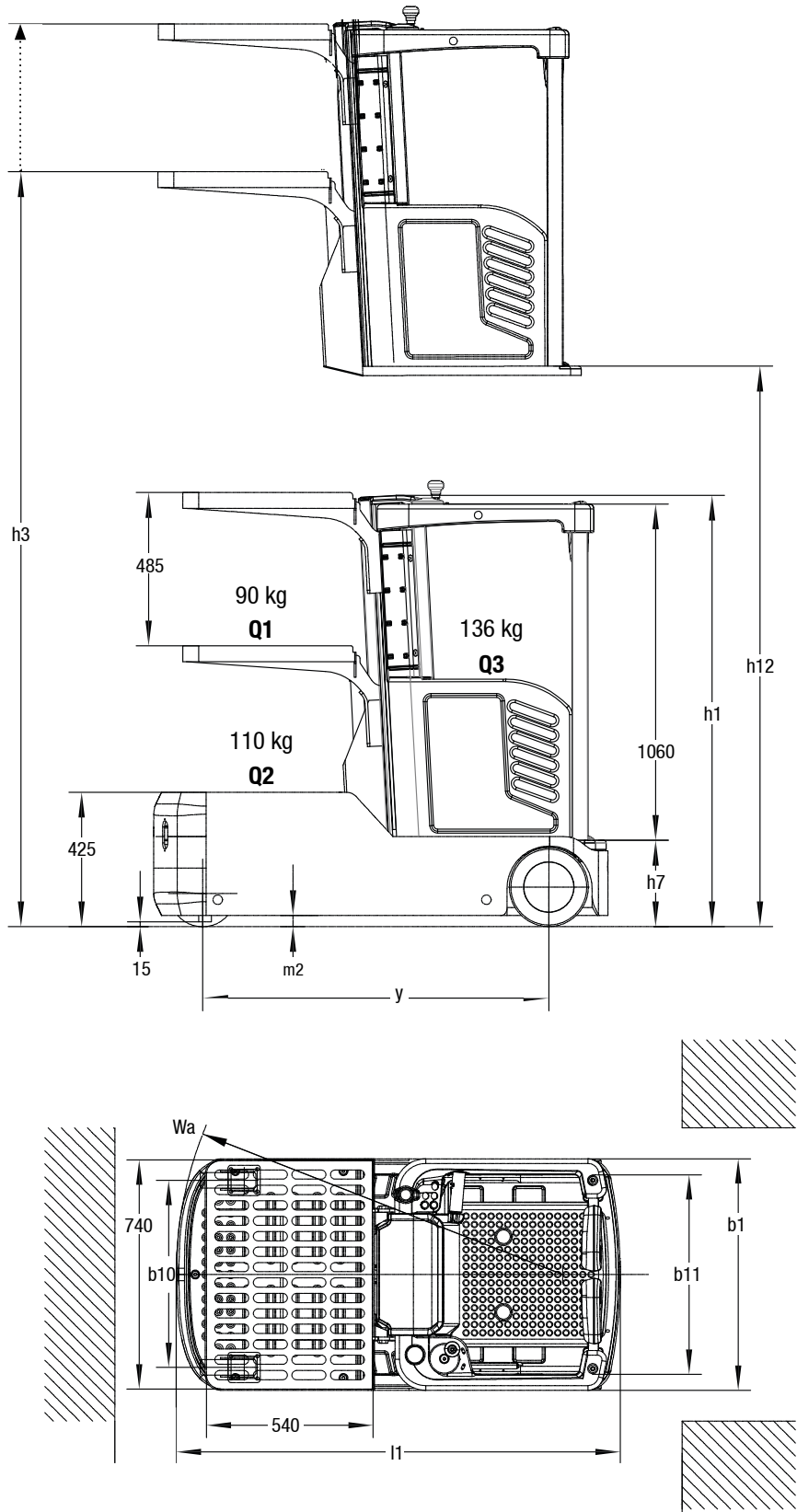
Multifunctional order picker

Platform height max.: 2.990 mm



DIMENSIONS

COP1



For corresponding data see specification chart.

SPECIFICATIONS

Product Specification acc. to VDI 2198

1.1 Manufacturer (Abbreviation)		CLARK		
Specifications	1.2 Manufacturer's designation	COP1		
	1.3 Drive	24V Electric		
	1.4 Operator type	Order Picker		
	1.5 Rated capacity/rated load	Q 1 (kg)	90	
		Q 2 (kg)	110	
Q 3 (kg)		136		
1.9 Wheelbase	y (mm)	1.095		
Weight	2.1 Service weight incl. battery (see 6.5)	kg	800	
	2.3 Axle loading, unladen driving side/ loading side	kg	370 / 430	
Tyres, Chassis	3.1 Tyres type, driving wheels / loading wheels		Polyurethane / Rubber	
	3.2 Tyre size, driving wheel (Diameter x Width)	mm	Ø 210 x 70	
	3.3 Tyre size, loading wheel (Diameter x Width)	mm	Ø 250 x 100	
	3.5 Wheels, number front/rear (x = driven wheels)		1 x 2 / 2	
	3.6 Track width, front, driving side	b10 (mm)	545	
	3.7 Track width, rear, loading side	b11 (mm)	640	
Dimensions	4.2 Height, mast lowered	h1 (mm)	1.365	
	4.4 Lifting height of the upper loading platform, lowered	h3 (mm)	3.620	
		Lifting height of the upper loading platform, lifted	h3 (mm)	4.105
	4.8 Standing height, driver's cab lowered	h7 (mm)	275	
	4.14 Standing height, driver's cab extended	h12 (mm)	2.990	
	4.19 Overall length	l1 (mm)	1.440	
	4.21 Overall width	b1 (mm)	750	
	4.32 Ground clearance, centre of wheelbase	m2 (mm)	35	
	4.35 Turning radius	Wa (mm)	1.260	
	4.38 Picking height	(mm)	4.600	
Reach height		(mm)	5.000	
Performance	5.1 Travel speed, laden/ unladen (H: 0-500mm)	km/ h	6 / 6.5	
		Travel speed, laden/ unladen (H: 500-1.000mm)	km/ h	3 / 3
		Travel speed, laden/ unladen (H: 1.000-2.000mm)	km/ h	2 / 2
		Travel speed, laden/ unladen (H: 2.000-3.000mm)	km/ h	1 / 1
	5.2 Lifting speed, laden/ unladen (Q3)	m/ s	0.213 / 0.225	
		Lifting speed, laden/ unladen (Q1)	m/ s	0.023 / 0.028
	5.3 Lowering speed, laden/ unladen (Q3)	m/ s	0.230 / 0.233	
		Lowering speed, laden/ unladen (Q1)	m/ s	0.030 / 0.029
	5.8 Max. gradeability, laden/ unladen	%	5 / 5	
	5.10 Service brake type		Electronic	
Electrics	6.1 Drive motor rating S2 60 min	kW	0.65	
	6.2 Lift motor rating at S3 15%	kW	2.2	
	6.4 Battery voltage/ nominal K5	V/ Ah	24V / 120 Ah	
	6.5 Battery weight	kg	35	
Misc.	8.1 Type of drive unit	kWh/h	DC	
	10.5 Steering type		Electronic	
	10.7 Sound pressure level at the driver's seat acc. to EN 12053	dB(A)	74	

*1) At friction coefficient $\mu=0.6$ with 1.6 km/h

All values shown are for standard lift truck with standard equipment. If the truck is supplied with options, values may change. All values given may vary + 5 % and - 10 % due the motor and system tolerances and represent nominal values obtained under typical operating conditions. Specifications for Non-emission limited truck.

EQUIPMENT EXTRAS

		COP1
General	Drive motor with 0,65 kW	•
	Lifting motor with 2,2 kW	•
	Height-adjustable shelf, with longitudinal slits for good downward visibility	•
	Integrated LED light in the front vehicle frame	•
	Emergency shutdown and hydraulic emergency lowering	•
Dimensions	Reach height of up to 5 m	•
	Overall length (l1) : 1.440 mm	•
	Overall width(b1) : 750 mm	•
	Turning radius (WA) : 1.260 mm	•
Safety	Electrically monitored safety frame	•
	Optical hand sensor	•
	Dead man's switch in the footwell	•
	Safety sensor under the working platform	•
	Second optical hand sensor	•
Options	Acoustic warning signal during operation	x
	LED safety light under the driver's cab (lowering signal)	x
Battery	Maintenance-free AGM block battery (24 V / 120 Ah)	•
	Lithium-ion battery (24 V / 120 Ah)	x
Charger	Internal charger (24 V / 15 Ah) for block battery	•
	Internal charger (24 V / 30 Ah) for lithium-ion battery	x

• = Standard equipment, x = Option

FEATURES & ADVANTAGES

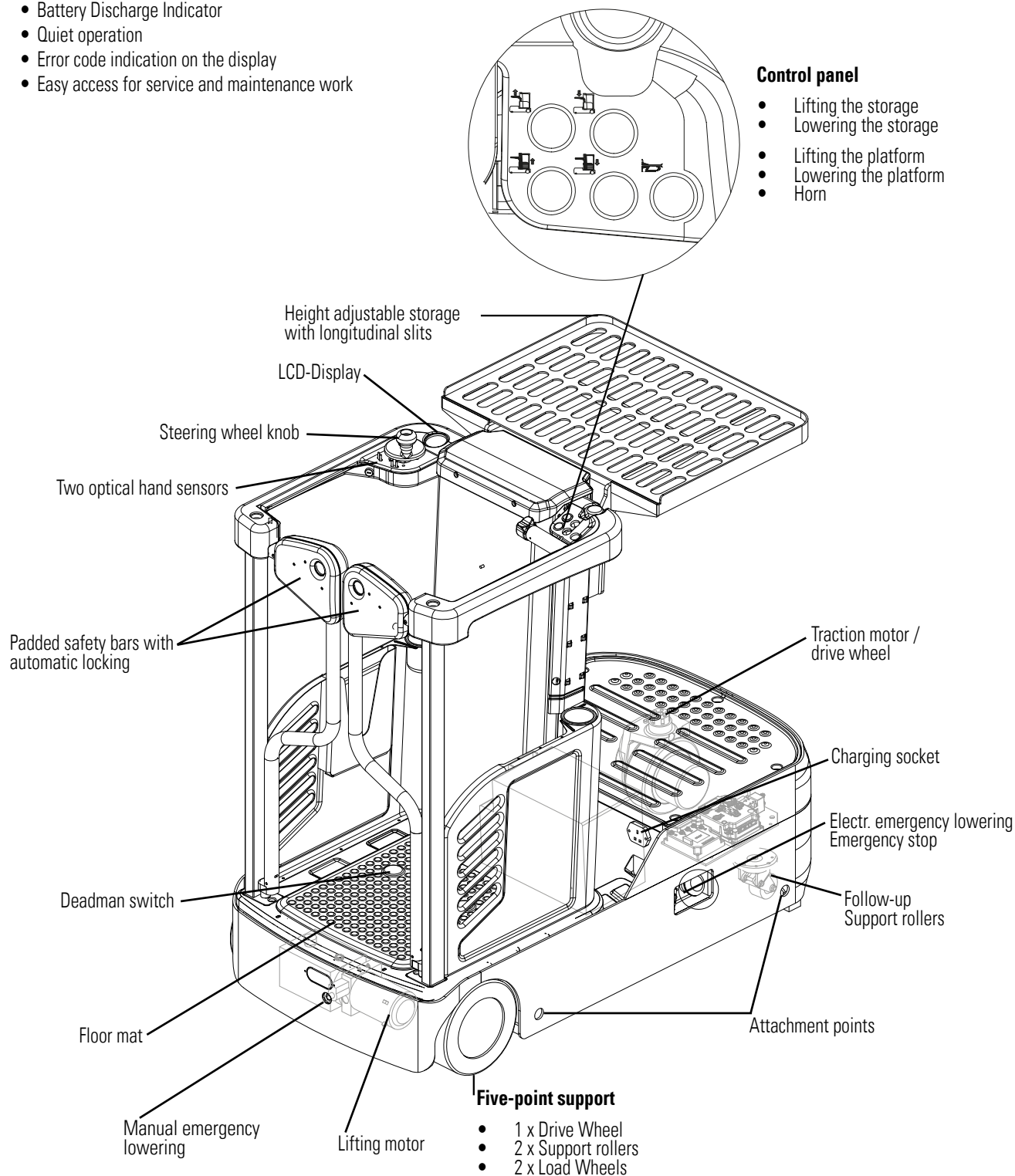
COP1

Performance & Safety

- Powerful acceleration
- Sensitive lifting and lowering
- Intuitive and precise steering
- Battery Discharge Indicator
- Quiet operation
- Error code indication on the display
- Easy access for service and maintenance work

Control panel

- Lifting the storage
- Lowering the storage
- Lifting the platform
- Lowering the platform
- Horn



PRODUCT DESCRIPTION



COP1 is not only extremely efficient for picking goods, but also performs well - thanks to the liftable work platform and excellent stability- as a Rolling ladder or working platform. In comparison to a conventional ladder COP1 not only eliminates the time-consuming up-and-down movements, it also reduces the accident-risk.

Application

Regardless of whether for order picking or for repair, maintenance or cleaning work, the CLARK COP1 is the perfect assistant that convinces with its predictable and safe operation in each of these activities. The special advantage of this multi-talent: You can drive and lift the truck in one simultaneous movement. This saves time and ensures high productivity. The COP1 is therefore not only the ideal assistant in wholesale and retail, distribution, the food and beverage industry, but also perfect for application in offices, hotels, museums, hospitals or in trade fair construction. For applications in buildings and on flat floors, the truck can be used safely and efficiently to fill shelves, take inventories, decorate rooms, attach signs, change lamps or carry out cleaning and repair work and much more.

Motor, drive and control

The multi-functional order picker has both a drive motor with 0.65 kW and a lifting motor with 2.2 kW. The truck is equipped as standard with a maintenance-free AGM 24-volt battery (120 Ah), which provides enough energy for a working day. The battery can be charged at any 230-volt socket via an integrated charger. The charging cable is integrated into the vehicle. If the application requires higher availability, the COP1 can be equipped with a 120 Ah lithium-ion battery (optional). In this case, shortstops can be used for intermediate charging without any problems. With both battery types charging rooms and ventilation systems are needed, as no gases are formed during the charging process.

Driver's cab

The height-adjustable tray of the COP1 has a load capacity of 90 kg. The lower tray can carry a load of another 110 kg. The operator can raise the working platform to a lifting height of up to 2,990 mm and reaches a reach height of up to 5 m. The travel speed of up to 6 km is adapted to the lifting height. Easy-grip switches allow safe and productive working when traveling in diagonal direction. The maneuverability of the machine is also worth mentioning. The COP1 turns on the spot. With a total width of only 750 mm and a turning radius of only 1,260 mm, the truck can be used in narrow aisles or confined spaces - even narrow doors up to 80 cm are no problem.

Safety

The standard safety features are another highlight. These range from electrically monitored safety bars, two optical hand sensors, two dead man's switches in the footwell and a safety sensor under the working platform to prevent injuries when lowering the platform. The flexible storage helper can only be started when the operator is standing on the work platform and the safety bars are closed. When the work platform is raised, the safety bars lock automatically. Safety sensors underneath the operator platform deactivate the driving, lowering and lifting functions when pressure is on the cover below the work platform. The optical hand sensors ensure that the operator has both hands on the controls during travel and lift operations and that they remain within the truck contour as the truck moves. The dead man's switches ensure that the operator must stand firmly on the platform. As soon as the dead man's switch has no contact, the driving, lowering and lifting functions are automatically deactivated.

Other standard equipment

The ergonomic steering knob ensures a predictable and precise operation of the unit. Small parts can be safely stowed away in the standard storage compartments. Two cup holders and a storage compartment for documents make everyday work easier for the operator. For working in poorly lit working areas or as a warning for oncoming traffic, the vehicle has an integrated LED light in the front vehicle frame. And last but not least, CLARK rounds off the safety features on the COP1 with the externally operated emergency stop and hydraulic emergency lowering. During the development of the COP1, great importance was attached to a solid construction. The robust steel frame not only protects the vehicle from damage, but also ensures stable driving and a firm stand thanks to the five-point support, which is ensured by a combination of drive wheel, two support rollers and two load edges. The mast is also designed to be extremely solid. This is particularly useful when the mast is extended. The height-adjustable shelf is equipped with longitudinal slots so that the operator always has a good view downwards. A high level of comfort within the working platform is ensured by the padded door bars, which also serve as backrest, and a front support that is also padded.

Additional equipment

The COP1 can be individually adapted to the application. Not only the driving behavior, but also the braking, acceleration and countercurrent braking can be adjusted to the respective situation. The vehicle tray is height-adjustable and has an adjustment range of 485 mm so that goods of different sizes can be picked. To further increase safety, lowering signal is optionally available on request. In the event of a malfunction, the COP1 has on-board diagnostics with error codes so that the service technician can quickly correct small malfunctions.

Your CLARK specialist dealer will be happy to help you select the appropriate equipment.

CLARK Europe GmbH

Dr.-Alfred-Herrhausen-Allee 33
47228 Duisburg / Germany
Tel.: +49 (0)2065 499 13-0
Fax: +49 (0)2065 499 13-290

E-Mail: info-europe@clarkmheu.com
www.clarkmheu.com

Dealer:

Nr.: 4583104 12/2020

Valid for Lot-no.: 8249